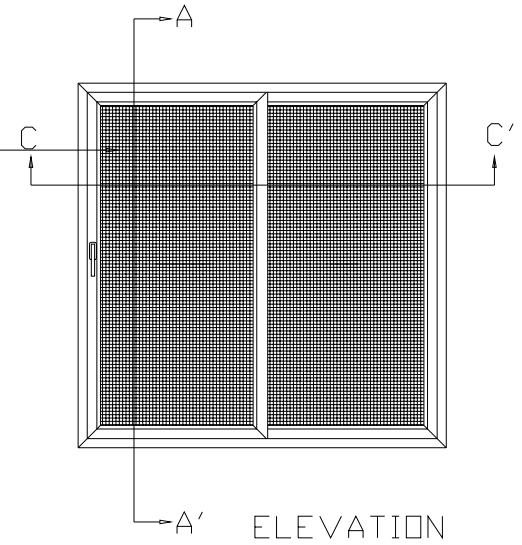
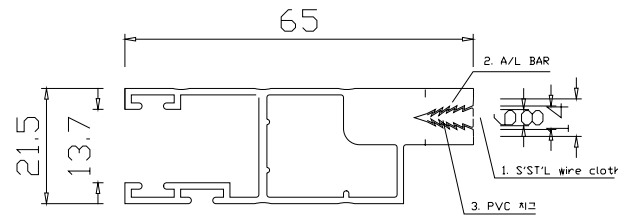
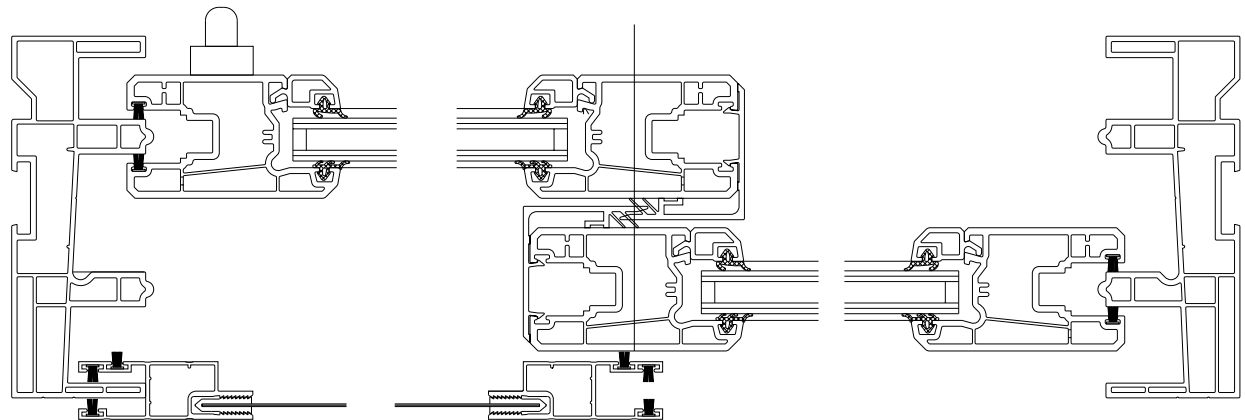
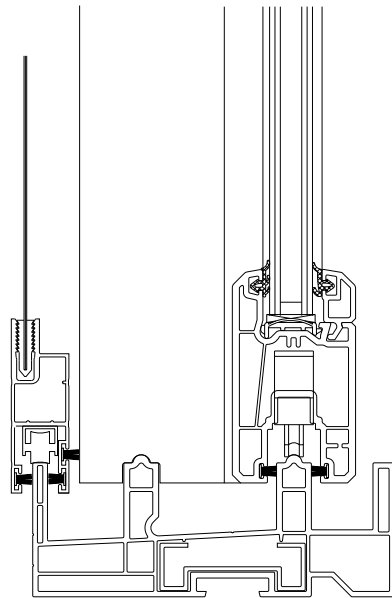


STAINLESS MESH



ELEVATION



VERTICAL SECTION (A-A')

HORIZONTAL SECTION (C-C')